



www.rodcraft.com

Launch Pack Step 1 RC Cordless

RC9067/RC9077/RC9087

Brenda Celine Islas Flores

04/2024

RC RODCRAFT®

Features & Benefits RC9067

Compact & Light weight

- Only 1.6Kg with 2.0Ah battery
- 137mm of length

Great power

- 300 Nm in Reverse

Durability & Rugged

- Brushless motor
- Multiple bumpers for tool protection
- Impact clutch mechanism in metal



Outstanding Ergonomic Features

- Anti-slip handle
- Reverse button next to trigger for easy access
- LED Lightning
- Hook on the side
- Perfectly-balanced

Eco-friendly

- Made with recyclable materials

Easy to use

- 3 power settings forward
- 2 power settings in reverse
- Progressive trigger
- Soft press to turn on the light

Features & Benefits RC9077/87

Outstanding Ergonomic Features

- Anti-slip handle
- Reverse button next to trigger for easy access
- LED Lightning
- Hook on the side
- Perfectly-balanced



Convenience:

- LED light system integrated
- Comfortable grip handle
- 200 Tightening's per charge



PRODUCTIVITY

ERGONOMICS

SAFETY



Outstanding breakaway:

- Dual speed of over 1,100 Nm
- Super durability & quality

Durability & Rugged



- Brushless motor
- Multiple bumpers for tool protection
- Impact clutch mechanism in metal

Easy to use



- 3 power settings forward
- 2 power settings in reverse
- Progressive trigger
- Soft press to turn on the light

Eco-friendly

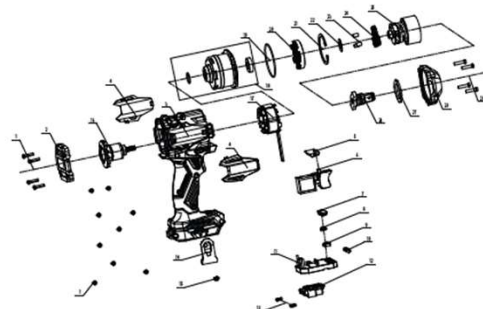
- Made with recyclable materials



RC RODCRAFT

Exploded View

RC RODCRAFT	Cordless Impact Wrench	Model RC9067	Serie A
--------------------	-------------------------------	------------------------	-------------------



Pos.	Artikelnr.	Description	Ans.	Pos.	Tightening Torque (Nm)	Dr.	Dr. or Grease
1	80500007	Anti-Grip Kit	1	1	0.8-1.2	○	N/A
27		Washer	1	15	0.8-1.2	○	N/A
28		1/2" Axle	1				
29	80500008	Steel Case Kit	1				
27		Washer	1				
28		Motor Case	1				
29	80500009	Gear Box Kit	1				
16		Brushless Motor Rotor	1	5			
17		Brushless Motor Stator	1	6			
18		Gear Box Assembly	1	10			
19		Gear Box Assembly	1	11			
20		Large Ring Gear	1	12			
21		Intermediate Ring Gear	1	13			
22		Washer	1	14			
23		Shaft Pin	2	15			
24		Flange Gear	2	16			
25		Impact Pin	1	17			
26		Impact Pin	1	18			
1	80500000	Hot. Purched Tapping Screw	10				
2		End Cap	1				
	80500003	Roller Ball Kit	1				
14		Roller Ball	1				
15		Case Pinhead Screw	1				
	80500002	Shielding Kit	1				
1		Hot. Purched Tapping Screw	3				
3		Shielding Support Cover	1				
4		Shielding Cover	1				
14		Roller Ball	1				
15		Case Pinhead Screw	1				

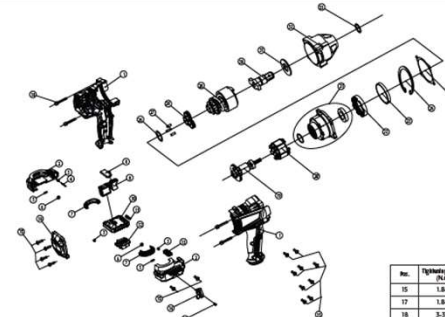
Pos.	Artikelnr.	Description	Ans.
	80500003	Mini PCB Kit Kit	1
	5	Forward and Reverse Button Switch	1
	6	Switch	1
	10	Light Circuit Board	1
	11	Brushless Control Board	1
	12	Large Commutator Block	1
	13	Washer Kit	1
	14	O-Ring	1
	15	Washer	1
	16	Shield Pin Kit	1
	17	Speed Indicator Cover	1
	18	Anti-Vibration Spring	2
	19	Case Pinhead Screw	1

Recommended Accessories	Part No.	Description
	80500000 06	Soft Bag
	80500000 487	20V 2Ah Battery Pack
	80500000 27	Protect Cover
	80500000 470	Charger 20V Pump
	80500000 471	Charger 20V UK

	80500000 221	Warning Label
	80500000 221	Safety Information

Bei Ersatzteilbestellungen bitte Artikelnummer und Beschreibung angeben - To order spare parts pls. indicate Part No. and Description
 Ref: 8050000224 / Rev: 01 - 09/2023 1/1

RC RODCRAFT	Cordless Impact Wrench	Model RC9077, RC9087	Serie A
--------------------	-------------------------------	--------------------------------	-------------------



Pos.	Tightening Torque (Nm)	Dr.	Dr. or Grease
15	1.8-2	○	N/A
17	1.8-2	○	N/A
18	3.5-5	○	N/A

Pos.	Artikelnr.	Description	Ans.	Pos.	Artikelnr.	Description	Ans.
18	80500025	Impact Kit	1	16	80500000	Roll Block Kit	1
19	80500026	1/2" Axle for RC9077	1	17	80500000	Roll Block	1
20	80500029	1/2" Axle for RC9087	1	17	80500000	Flange Slot Head Screw	1
	80500001	Steel Case Kit	1		80500001	Hammer Bit	1
31		Case Kit	1	1		Clamp Steel Support Cover	1
33		Head Shield O-Ring	1	2		Foot Support Cover	1
	80500007	Head Shield Kit	1	3		Rubber Pin	3
25		Case Kit	1	4		Anti-Vibration Plate	1
		Noise Cap	1	5		Anti-Vibration Spring	2
12	80500007	Motor Kit	1	6		Hex. Lock Nut	2
		Brushless Motor Rotor	1	7		Enter Ratchet Pin	2
		Brushless Motor Stator	1	10		Hex. Screws	11
30	80500008	Gear Box Kit	1	18		Screw Assembly	4
		Case Box Assembly	1		80500002	Mini PCB Kit Kit	1
22		Large Internal Ring Gear	1	5		Forward and Reverse Button	1
23		Pinch Washer	1	9		Switch	1
24		Control Pin Hole	1	10		Brushless Control Board	1
25		Case Kit	1	11		Lat. Control Board	1
26		Flat Washer	1	12		Terminal Block	1
27		Pin	1		80500003	Hammer Bit	1
27		Large Planetary Gear	1	25		Case Kit	1
28		Pin	1	26		Flat Washer	1
	80500009	End Cap Kit	1	31		Case Kit	1
14		End Cap	1	31		Case Kit	1
15		Hex. Screws	4	32		Head Shield O-Ring	1
	805000232	Warning Label	1		80500004	Shield Parts Kit	1
	805000231	Safety Information	1	3		Rubber Pin	3
				4		Anti-Vibration Plate	1
				5		Anti-Vibration Spring	2
				6		Hex. Lock Nut	2
				12		Speed Indicator Cover	1

Recommended Accessories	Part No.	Description
	80500000 06	Soft Bag
	80500000 488	Battery Pack, 20V 4Ah
	80500000 489	Battery Pack, 20V 6Ah
	80500000 29	Protective Cover
	80500000 470	Charger 20V Europe
	80500000 471	Charger 20V UK

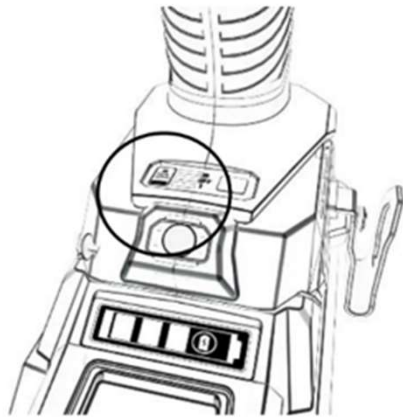
Bei Ersatzteilbestellungen bitte Artikelnummer und Beschreibung angeben - To order spare parts pls. indicate Part No. and Description
 Spare parts without part number are not sold separately Ref: 8050000225 / Rev: 01 - 10/2023 1/1

Technical data



Description	RC9067	RC9077	RC9087
Max. loosening torque (Nm)	500	1500	1500
Rated Voltage (V)	20	20	20
Max. Free Speed (rpm)	2600	1700	1700
Max. Torque Rev. (Nm)	300	1100	1100
Square Head (inch)	1/2	1/2	3/4
Speed Range (rpm)	0 to 2600	0 to 1700	0 to 1700
Impact Rate Range (bpm)	0 to 3500	0 to 2200	0 to 2200
Bare Tool Weight* (kg)	1.2	3	3.05
Bare Tool Length (L) (mm)	137	230	230
Bare Tool Width (W) (mm)	80	87	87
Bare Tool Height (H) (mm)	210	245	245
Recommended Charging Temperature (°C)	0 to +45	0 to +45	0 to +45
Storage Temperature (°C)	-20 to +50	-20 to +50	-20 to +50
Operating Temperature (°C)	-20 to +70	-20 to +70	-20 to +70

Reverse Safety Feature



RC9067

With Safety mode:

From 2600rpm to 100rpm

GREEN LIGHT: the tool is in safety mode. The speed will slow down along with the load drop off.

NO LIGHT: the tool is in full speed mode.



RC9077/RC9087

With Safety mode:

From 1700rpm to 170rpm

Our Impact Wrenches will stay in the selected mode even if the user removes/changes the battery, there is no pre-determined setting to go back to.

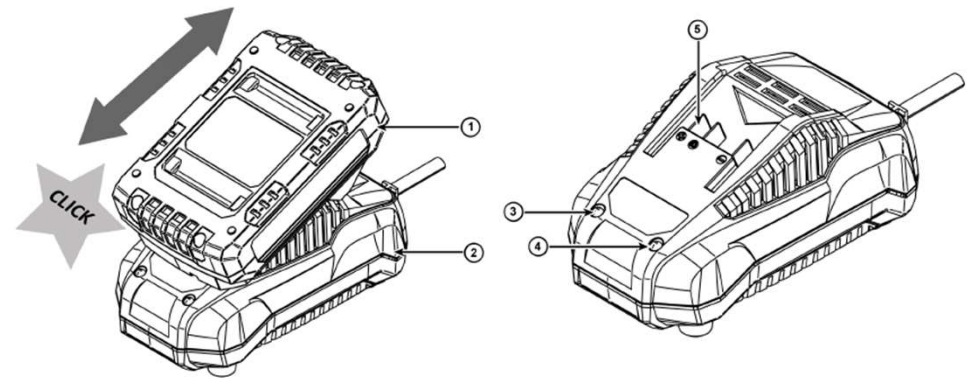
Technical data batteries



Description	RC20BA20	RC20BA40	RC20BA60
Length [B] (mm)	123	123	130
Width [A] (mm)	78	78	81
Height [C] (mm)	49	69	82
Weight (kg)	0.4	0.68	0.92
Weight (lbs)	0.8	1.5	2.02
Charging Time (mins)	60	75	110
Battery Voltage	20	20	20
Battery Type	Li-Ion Battery	Li-Ion Battery	Li-Ion Battery
Ah	2	4	6

Technical data charger

Model	RC20CHEU	RC20CHUK
Input	230-240V / 50Hz 85 W	230-240V / 50Hz 85 W
Output	21.5 VDC, 3.5 A	21.5 VDC, 3.5 A
Weight	0.36 Kg (0.49 lbs)	0.36 Kg (0.49 lbs)
Plug Type	Europlug	BS 1363



Battery Model	Charge Time (mins)
RC20BA20	60
RC20BA40	75
RC20BA60	110

- Two lights indicators.
- When charging, the red light illuminates. Upon completion of the charging process, the green light takes over, and the red light turns off.
- This intuitive system keeps you informed throughout the charging cycle.

What is in the box? K2 / K4 / K6

RC9067K2

- 1pc - RC9067
- 2pcs – 2 Ah Batteries
- 1pc - Charger
- 1pc - Soft bag

RC9077K4

- 1pc - RC9077
- 2pcs - 4 Ah Batteries
- 1pc - Charger
- 1pc - Soft bag

RC9087K4

- 1pc - RC9087
- 2pcs - 4 Ah Batteries
- 1pc - Charger
- 1pc - Soft bag



RC9077K6

- 1pc - RC9077
- 2pcs - 6 Ah Batteries
- 1pc - Charger
- 1pc - Soft bag

RC9087K6

- 1pc - RC9087
- 2pcs - 6 AH Batteries
- 1pc - Charger
- 1pc - Soft bag

Application Pictures



Product Pictures



Mix & Match



- All 3 Batteries: 2Ah, 4Ah and 6Ah are compatible with the 3 Tools.
- All elements are sold separately
- Allowing to make multiple combinations according to customer's needs

Thank you



www.rodcraft.com